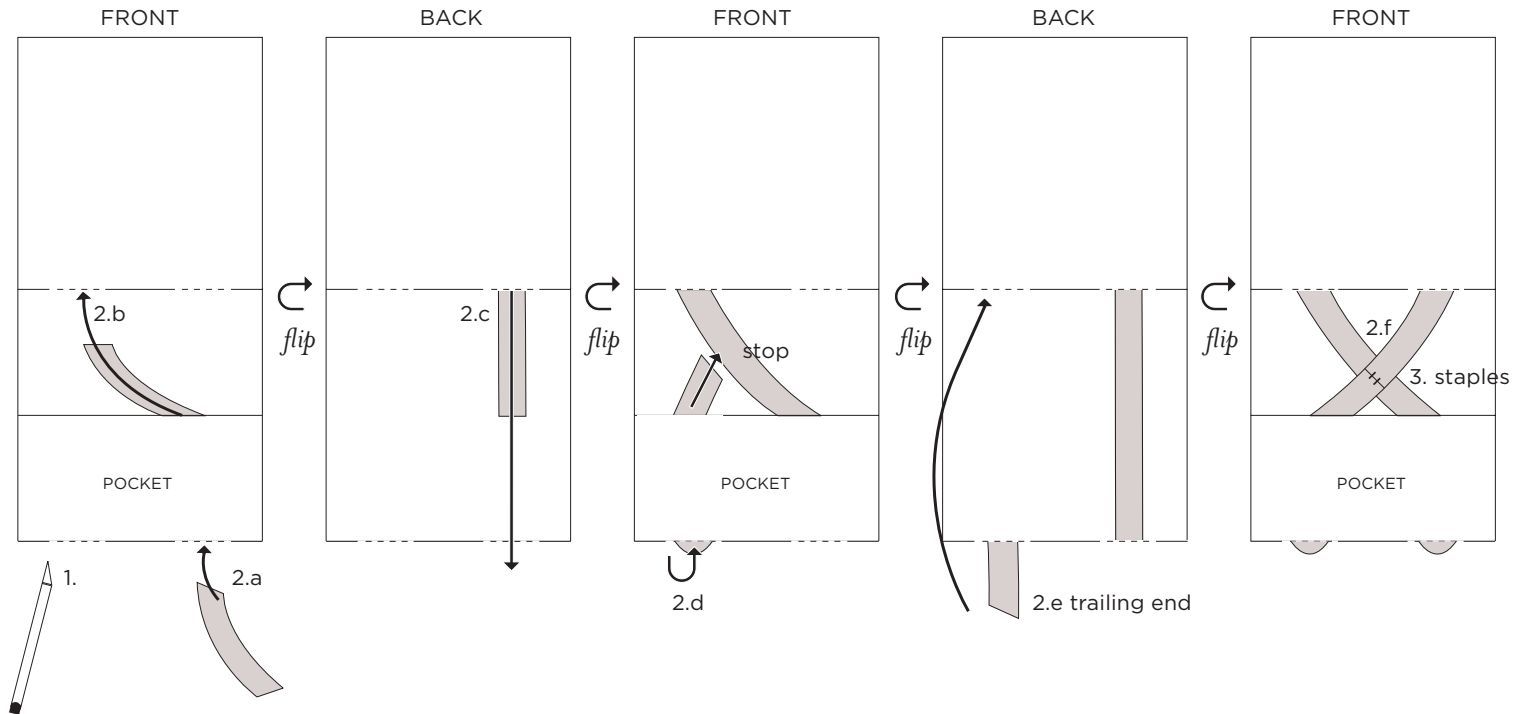
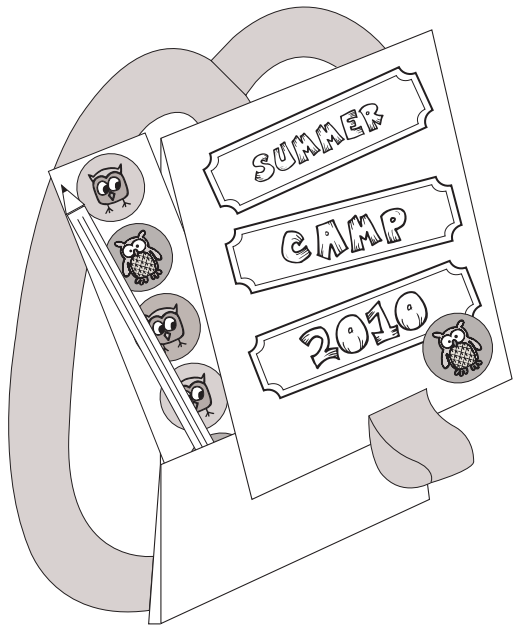


# CRAFTY BACKPACK CAMP STATIONERY



## MATERIALS NEEDED:

Chartreuse A7 Linear Enclosure • 1" Moss Satin Ribbon • A2 Curry Notecards • A2 Paper Bag Envelopes  
Moss Notched Corner Labels • Owls Circle Stickers • Googly Eyes (optional) • Xacto • Ruler • Stapler • Scissors • Pencil

## INSTRUCTIONS:

**Step One:** With an Xacto make 3/4" cuts on folds as indicated by dashed lines.

**Step Two:** Cut approximately 40" of ribbon. Making sure to leave approximately 12" of trailing ribbon, tuck ribbon into cuts following directions 2A through 2F.

**Step Three:** Secure ribbon ends by stapling together. Adjust ribbon to hide stapled ends behind pocket.

**Step Four:** Behind ribbon "X" tuck, six envelopes and six notecards, along with pre-addressed labels, stickers and postage.  
(Tip: When tucking in labels remove sticker outline paper so that sheets can easily fold in half.)

**Step Five:** Create ribbon tab with 3" of looped ribbon and staple in place.

**Step Six:** Personalize "backpack" with labels printed with child's name, "Summer Camp 2010," or any fun saying of your choice.  
Finish with owl sticker. Add googly eyes (optional).